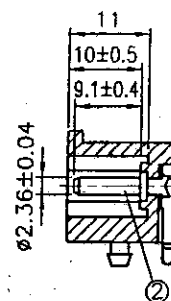
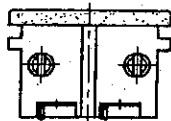
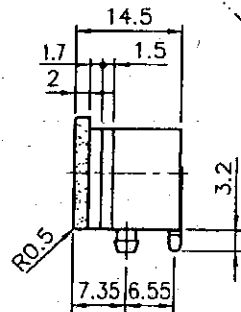
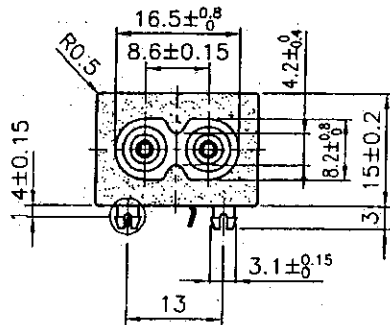
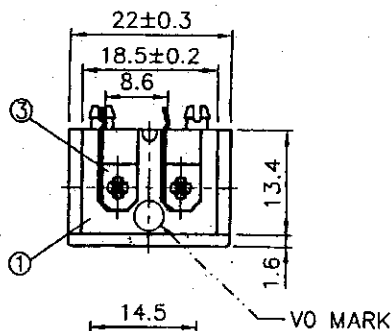
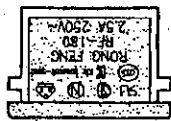


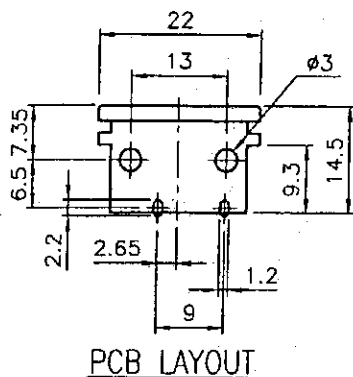
RF-180 INLET

SCALE : 1:1

UNIT : mm



Rating: 2.5A 250V AC
 Approvals: UL/CSA/VDE/NEMKO/CCC
 /KTL



Part No.	Color	Terminal Cladding	VO MARK
RF-180-F	Black	Bright tin	
RF-180-F-VO	Black 94V-0	Bright tin	VO
RF-180-Fd	Black	Matte tin Underlayer Nickel (min 2μm) out layer Matte Tin (4μm) plated.	
RF-180-F2	White	Bright tin	
RF-180-F3	Gray(423C)	Bright tin	

3	Soldering PIN Brass Strip t=0.4mm Tin-Plated	2
2	Solid Contact PIN Brass Strip d=φ2.36mm Ni-Plated	2
1	Body Insulator PC	1

				DIMENSIONAL TOLERANCES	
				GRADATION	TOLERANCE
4	→			X	±0.3
3	→	工藝國家	榮豐	X.X	±0.2
2	→	零件號: RF-180-F series	2009.8.12	X.XX	±0.1
1	→	製作員: 李作興		ANGLE	±1°
DESCRIPTION				APPROVED	DATE
APPROVED	CHECK:	DRAWER:	MATERIAL NO:	RF-180-F Series	
98.7.27 銘福	98.7.23 伯林	98.7.23 張祥	DRAWING NO:	870139	

ENGINEER NO: TWI-K-1442(L)